

High Accuracy Compression Load Cell


FEATURES

- Capacities 5 - 50 Ton
- Stainless steel construction
- OIML R60 and NTEP approved
- IP68 protection

OPTIONAL FEATURES

- EEx ia IIC T6 hazardous area approval
- FM approval available

DESCRIPTION

Model 220 is a low profile bending ring load cell designed for high capacity weighing applications, including weighbridges, tanks, silos and high capacity platform scales as well as force measurement.

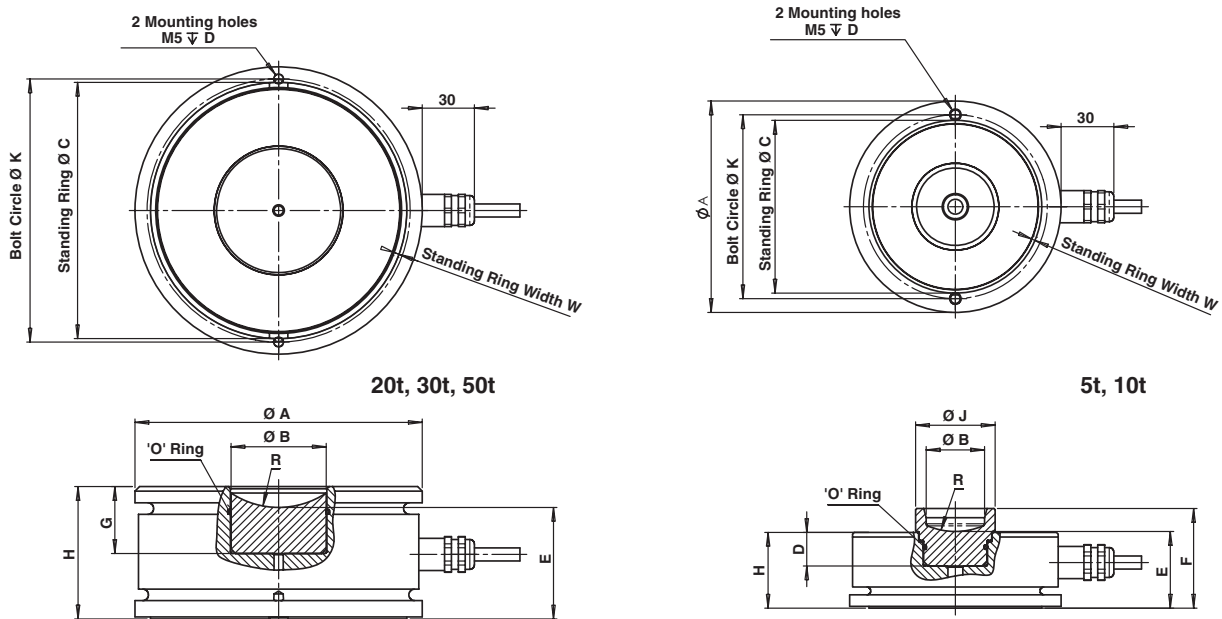
It's small physical size, combined with high accuracy and low cost, makes this load cell ideally suited for modern low profile designs in both approved applications and process weighing.

This high accuracy load cell has factory Mutual approval and is OIML R60 ap-

proved to 6000 divisions. For hazardous environments, this load cell has an EEx ia IIC T6 approved option. When combined with Vishay Tedea-Huntleigh mounting accessories, this load cell will provide a simple, accurate and reliable weighing system.

APPLICATIONS

- Truck scales
- Hopper for process weighing
- Tank & silo weighing
- Harsh environment

OUTLINE DIMENSIONS in millimeters


	A	B	C	D	E	F	G	H	J	K	W	R
5t	80.0	25.4	71.0	7.0	33.4	43.4	20.0	30.0	34.6	70.0	1.0	31.0
10t	92.0	25.4	75.2	6.0	33.4	43.4	14.6	33.0	34.6	80.0	1.5	31.0
20t & 30t	110.0	28.4	101.0	7.5	39.1		26.3	50.1		102.0	1.5	31.0
50t	125.0	41.4	111.5	8.0	48.5		29.2	57.7		114.5	2.3	37.3

SPECIFICATIONS

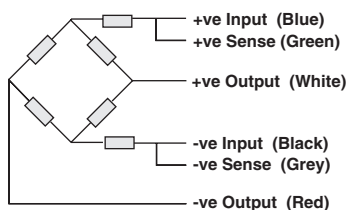
PARAMETER	VALUE				UNIT
Rated capacity-R.C. (E_{max})	5000, 10000, 20000, 30000, 50000***				kg
NTEP/OIML Accuracy class	NTEP	C1	C3*	C4**	
Maximum no. of intervals (n)	10000 IIL multiple	1000	3000	4000	
$Y = E_{max}/V_{min}$	11000	5000	14000	14000	
Rated output-R.O.	2.0				mV/V
Rated output tolerance	0.1				±% of rated output
Zero balance	2				±% of rated output
Zero Return, 30 min.	0.0330	0.0500	0.0170	0.0125	±% of applied load
Total Error (per OIML R60)	0.0200	0.0500	0.0200	0.0150	±% of rated output
Temperature effect on zero	0.0023	0.0028	0.0010	0.0010	±% of rated output/°C
Temperature effect on output	0.001	0.0020	0.0010	0.0008	±% of applied load/°C
Temperature range, compensated	-10 to +40				°C
Temperature range, safe	-30 to +70				°C
Maximum safe central overload	150				% of R.C.
Ultimate central overload	300				% of R.C.
Excitation, recommended	10				Vdc or Vac rms
Excitation, maximum	20				Vdc or Vac rms
Input impedance	1065±60				Ohms
Output impedance	1025±20				Ohms
Insulation resistance	>2000				Mega-Ohms
Cable length	5m (5T), 10m (10 & 20T), 20m (30 & 50T)				m
Cable type	6 wire, braided, Polyurethane, double floating screen				Standard
Construction	Stainless steel				
Environmental protection	IP68				

* 20% utilization

** 40% utilization

*** Capacities 5-20 ton available in C6 45% utilization

Wiring Schematic Diagram



VISHAY TRANSDUCERS (VT) SALES OFFICES

VT Americas
 City of Industry, CA
 PH: +1-626-858-8899
 FAX: +1-626-332-3418
 vt.us@vishaymg.com

VT Netherlands
 Breda
 PH: +31-76-548-0700
 FAX: +31-76-541-2854
 vt.nl@vishaymg.com

VMG UK
 Basingstoke
 PH: +44-125-646-2131
 FAX: +44-125-647-1441
 vt.uk@vishaymg.com

VMG Israel
 Netanya
 PH: +972-9-863-8888
 FAX: +972-9-863-8800
 vt.il@vishaymg.com

VMG Germany
 Heilbronn
 PH: +49-7131-3901-260
 FAX: +49-7131-3901-2666
 vt.de@vishaymg.com

VT China
 Tianjin
 PH: +86-22-2835-3503
 FAX: +86-22-2835-7261
 vt.prc@vishaymg.com

VMG France
 Chartres
 PH: +33-2-37-33-31-20
 FAX: +33-2-37-33-31-29
 vt.fr@vishaymg.com

VT Taiwan*
 Taipei
 PH: +886-2-2696-0168
 FAX: +886-2-2696-4965
 vt.roc@vishaymg.com
 *Asia except China

Heavy Duty Silo Mount For The 220 Load Cell



FEATURES

- 5, 10, 20 and 30 tonnes capacity
- Low profile
- Tolerant of angular misalignment
- Stainless steel mounting option
- Jacking support system
- Lift-off protection
- Allowance for thermal expansion

DESCRIPTION

The 220 Silo Mount is specifically designed for the support of tanks, silos and hoppers, making it ideal for indoor or outdoor process control applications when high accuracy weighing is demanded.

The Silo Mount is designed to support a uniformly distributed load and is capable of tilting through a maximum of $\pm 3^\circ$ from vertical.

The Silo Mount forms a compact assembly offering simple installation which is rugged and tolerant of heavy industrial environments. Heavy gauge steel construction

provides a rigid, robust load cell mount for high accuracy and prolonged life. An earth strap with fixing bolts is provided.

The Silo mount provides a unique jacking support system which allows the mounts to be installed in the raised position without the load cells, this aids the installation, and preventing accidental damage of the load cells.

Lift-off protection and an allowance for thermal expansion of the weighing vessel is also incorporated into the mount design.

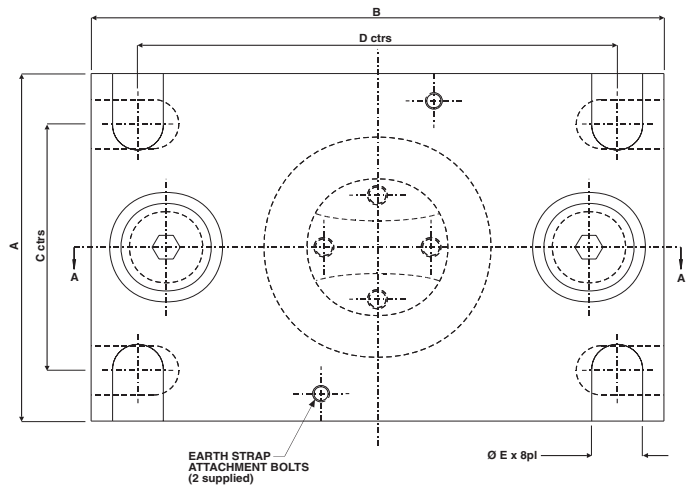
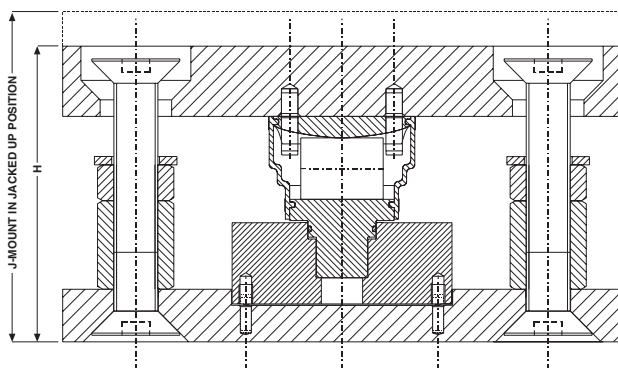
APPLICATIONS

- Silo mount
- Tank weighin
- Hopper weighing

For specifications refer to model 220.

OUTLINE DIMENSIONS in millimeters

This mount is designed for a uniformly distributed load on the top and bottom surfaces



CAPACITY	A	B	C	D	ØE	H	J
5 & 10T	127	203	90	170	18	107	118
20 & 30T	152	245	115	208	24	148	156

VISHAY TRANSDUCERS (VT) SALES OFFICES

VT Americas
City of Industry, CA
PH: +1-626-858-8899
FAX: +1-626-332-3418
vt.us@vishaymg.com

VT Netherlands
Breda
PH: +31-76-548-0700
FAX: +31-76-541-2854
vt.nl@vishaymg.com

VMG UK
Basingstoke
PH: +44-125-646-2131
FAX: +44-125-647-1441
vt.uk@vishaymg.com

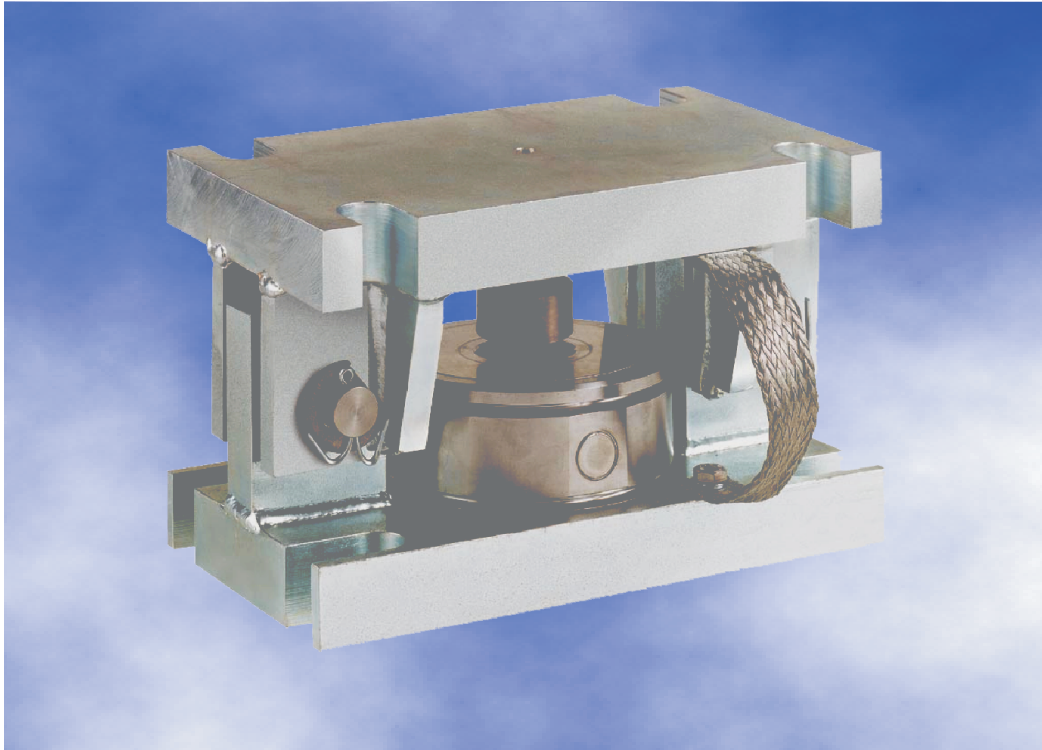
VMG Israel
Netanya
PH: +972-9-863-8888
FAX: +972-9-863-8800
vt.il@vishaymg.com

VMG Germany
Heilbronn
PH: +49-7131-3901-260
FAX: +49-7131-3901-2666
vt.de@vishaymg.com

VT China
Tianjin
PH: +86-22-2835-3503
FAX: +86-22-2835-7261
vt.prc@vishaymg.com

VMG France
Chartres
PH: +33-2-37-33-31-20
FAX: +33-2-37-33-31-29
vt.fr@vishaymg.com

VT Taiwan*
Taipei
PH: +886-2-2696-0168
FAX: +886-2-2696-4965
vt.roc@vishaymg.com
*Asia except China



- 50 tonne capacity
- Stainless steel IP68 load cell
- Low profile
- Tolerant of angular misalignment
- Lift-off protection
- ATEX approved

The **220 Silo Mount** is specifically designed for the support of high capacity tanks, silos and hoppers, making it ideal for indoor or outdoor process control applications when high accuracy weighing is demanded.

The silo mount is designed to support a uniformly distributed load and is capable of tilting through a maximum of $\pm 3^\circ$ from vertical.

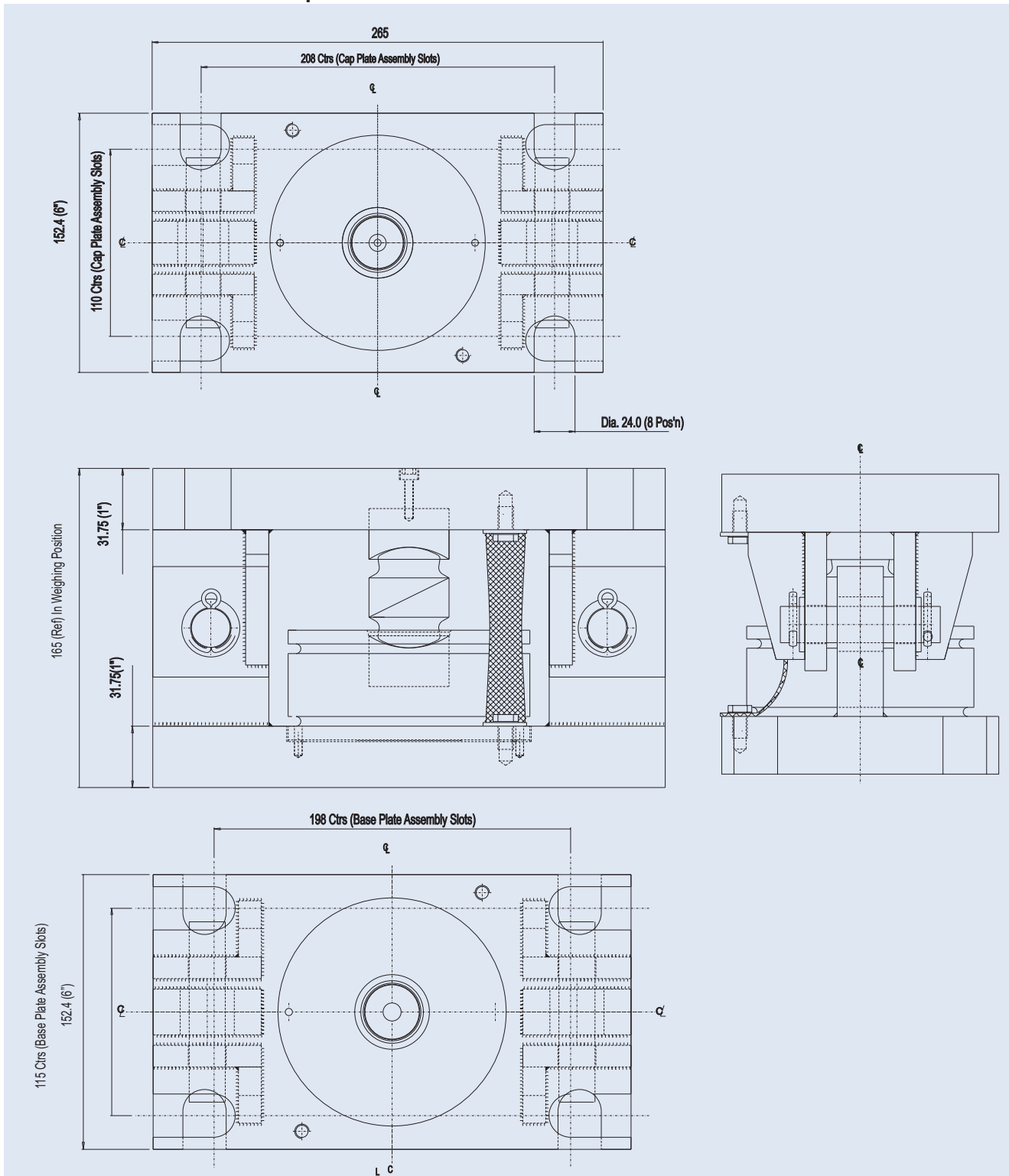
The silo mount forms a compact assembly offering simple installation which is rugged and tolerant of heavy industrial environments. Heavy gauge steel construction provides a rigid, robust load cell mount for high accuracy and prolonged life. An earth strap with fixing bolts is provided.

The silo mount incorporates lift-off protection and allows for thermal expansion of the weighing vessel.

220 Silo Mount

Heavy duty silo mount for the 50 tonne 220 load cell

220 Silo Mount Specification



Other information

The unique design of the Model 220 Silo Mount enables the mount to be installed in the raised position without the load cell. This can considerably aid installation and prevents the possibility of damage to the load cell during commissioning.

The Tedeo-Huntleigh range

Tedeo-Huntleigh is the world's leading manufacturer of high quality, high accuracy load cells in volume production. For further details please contact your local distributor or visit our web site at: <http://www.tedeo-huntleigh.com>



Europe

Tedeo-Huntleigh Europe Ltd.
37 Portmanmoor Road,
Cardiff
CF24 5HE
United Kingdom.
Tel: +44(0)29-20460231
Fax: +44(0)29-20462173

International

Tedeo-Huntleigh International Ltd
5 Hazoran St,
New Industrial Zone
P.O. Box 8381, Netanya 42506,
Israel.
Tel: +972-9-863-8888
Fax: +972-9-863-8800

China

Beijing Tedeo-Huntleigh.
No. 16 Hong Da Bei Lu,
Da Xing County, Beijing Economic
& Technology Development Area,
Beijing 100176.
Tel: +86-10-67881604-09
Fax: +86-10-67881576

Germany

Tedeo-Huntleigh GmbH.
Mümlingweg 18
D-64297
Darmstadt-Eberstadt,
Germany.
Tel: +49-6151-94460
Fax: +49-6151-944640

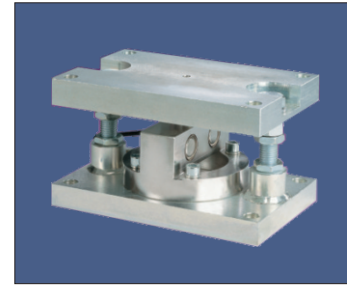
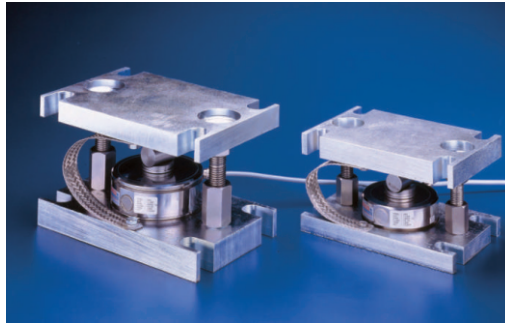
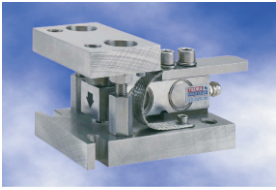
USA

Tedeo-Huntleigh Incorporated.
7800 Deering Avenue,
Canoga Park,
California,
CA91309-7964.
Tel: +1-818-673-2700
Fax: +1-818-673-2799

France

SEEA sa.
16 Rue Francis Vovelle
28000 Chartres,
France.
Tel: +33-237-33-3120
Fax: +33-237-33-3129

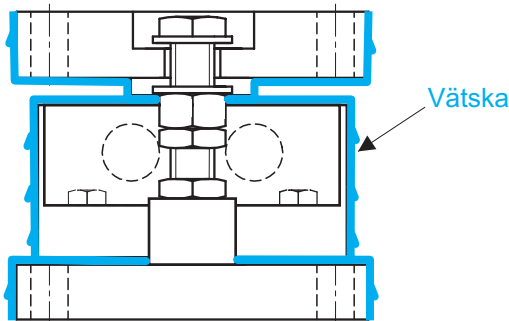
Droppskydd för lastcellsfasten



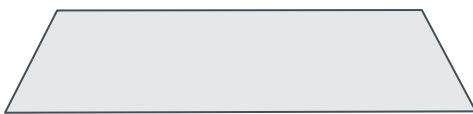
Vid installationer av lastceller under silos och tankar kan man råka ut för spill som rinner ned på lastcellsfastena och lastcellerna. Samma kan hända vid installationer utomhus där både regn och smältvatten rinner ner längs benen. På vintern kan man då även råka ut för att fästena fryser ihop och ger felvikter.

För att skydda sig mot detta kan ett enkelt skydd tillverkas av rostfri tunn plåt i form av ett platt "tak" med nedvikta sidor och hål för fästets skruvar. Skyddet kläms fast mellan benen och lastcellsfästet och fungerar som ett "tak" över fästet.

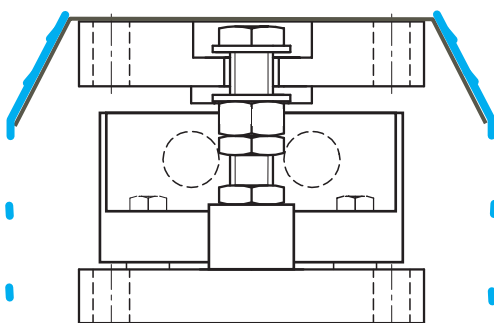
Vätskan rinner då förbi fästena.



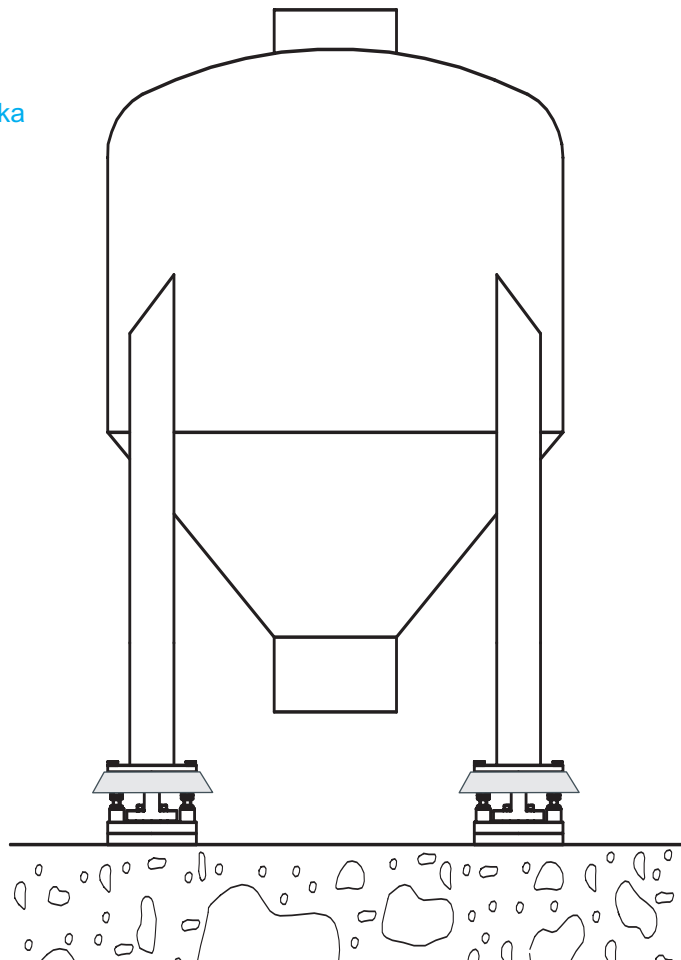
Lastcellsfäste utan droppskydd



Platt "tak" med nedvikta sidor



Lastcellsfäste med droppskydd.
Vätskan rinner förbi.



Tank med droppskydd över lastcellsfastena